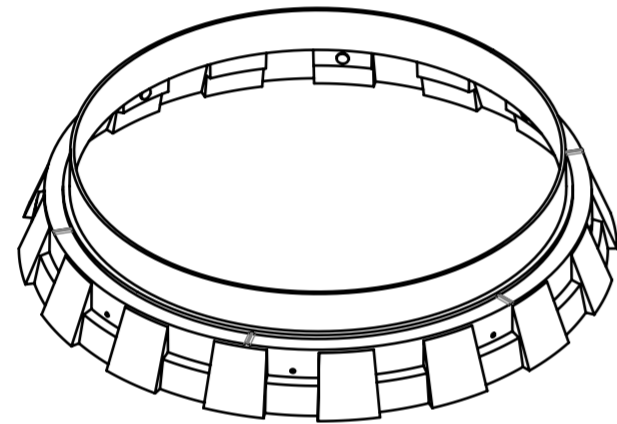
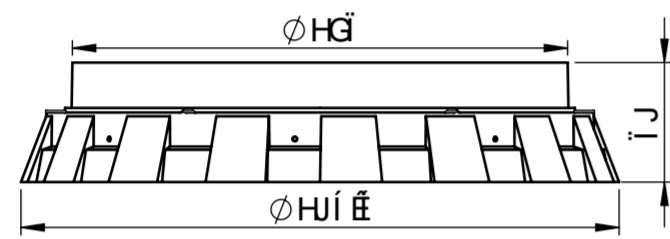
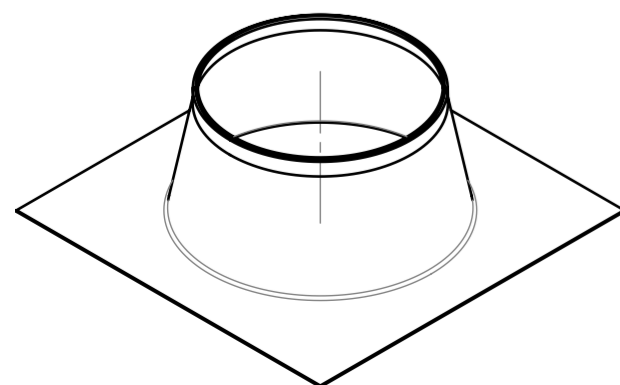
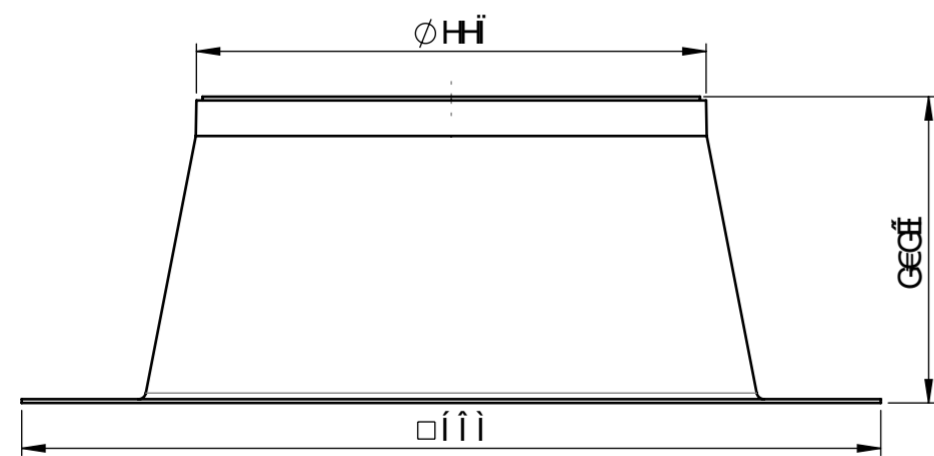


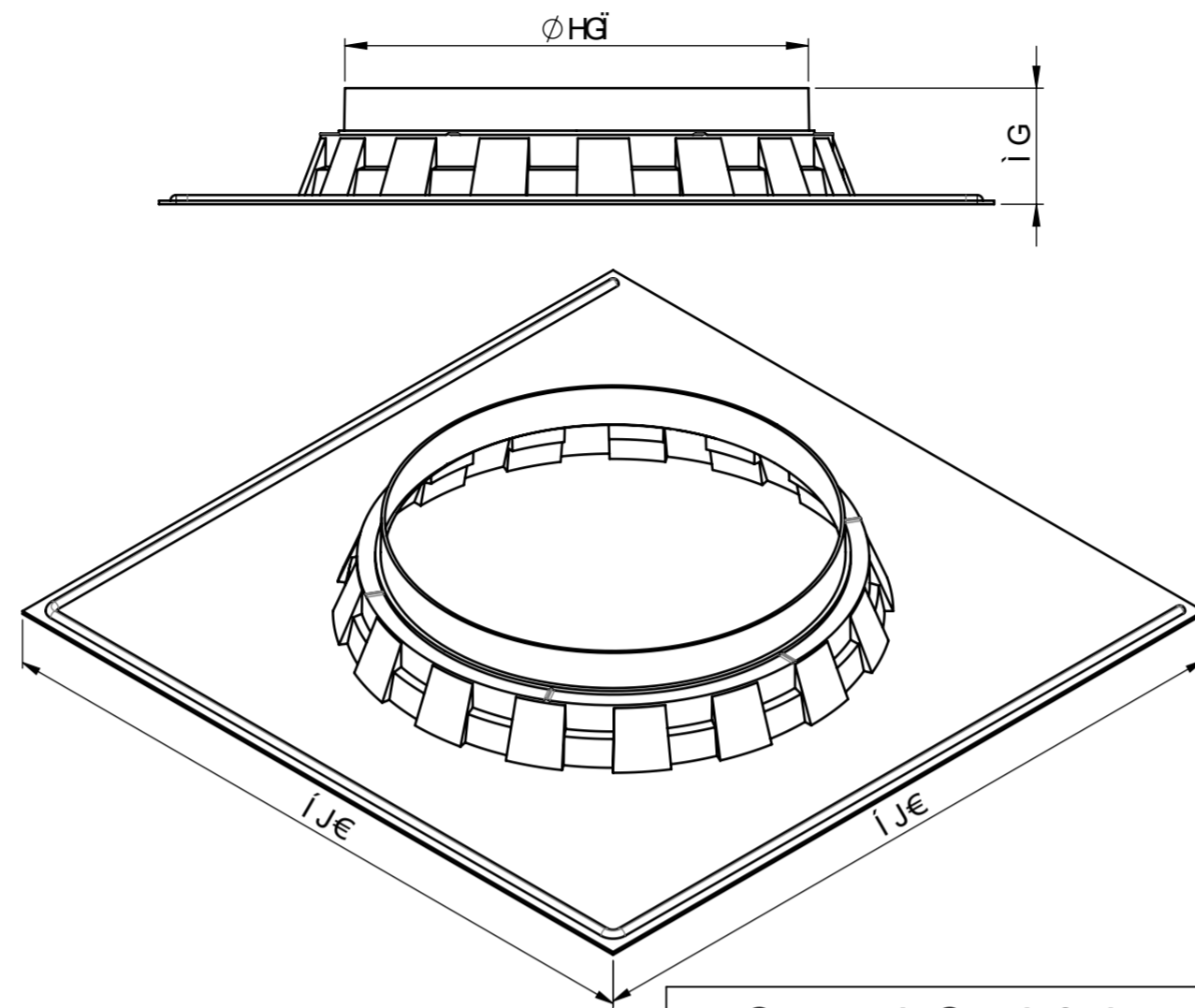
8 CA 9



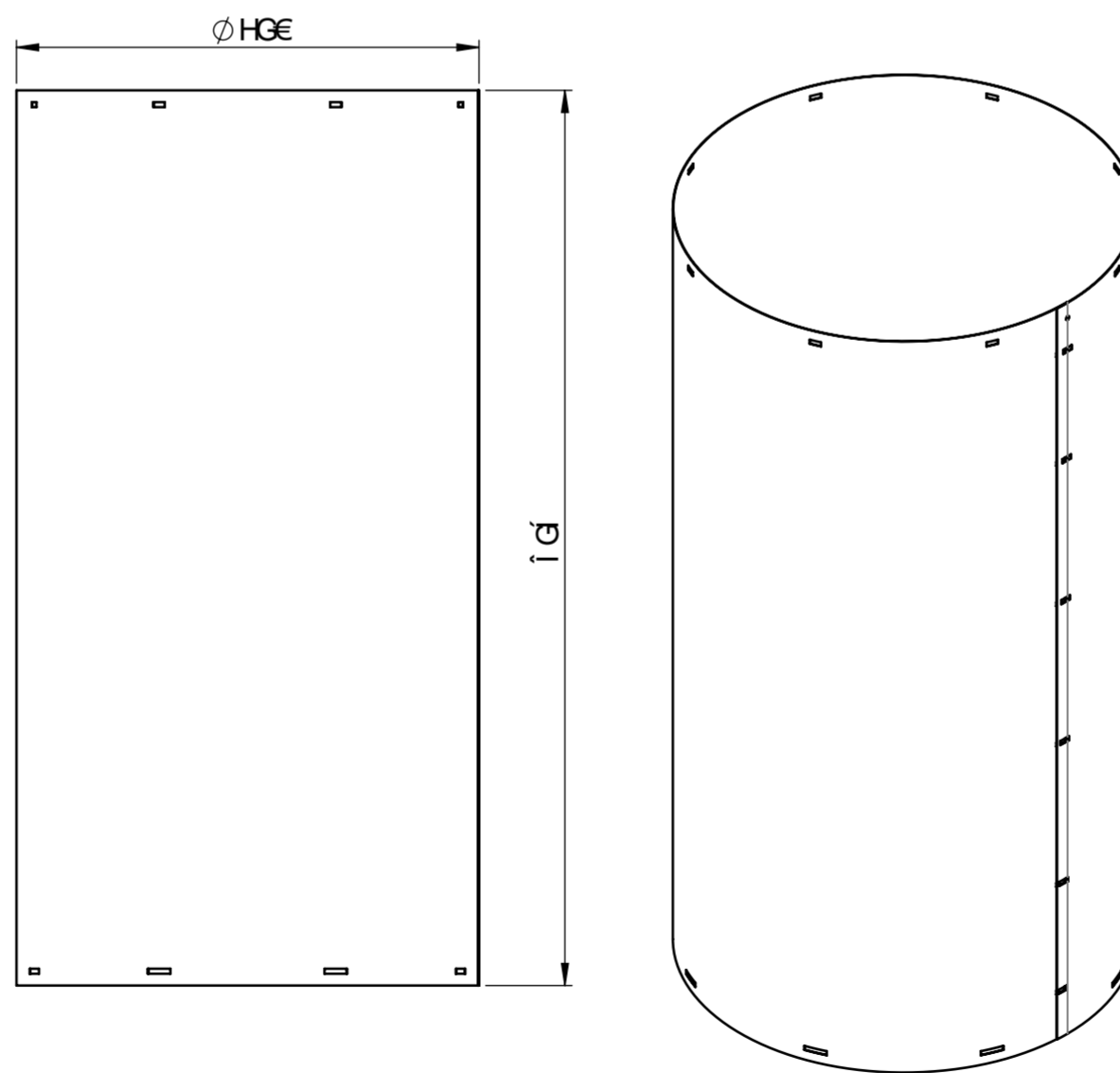
7 C @ 6 F



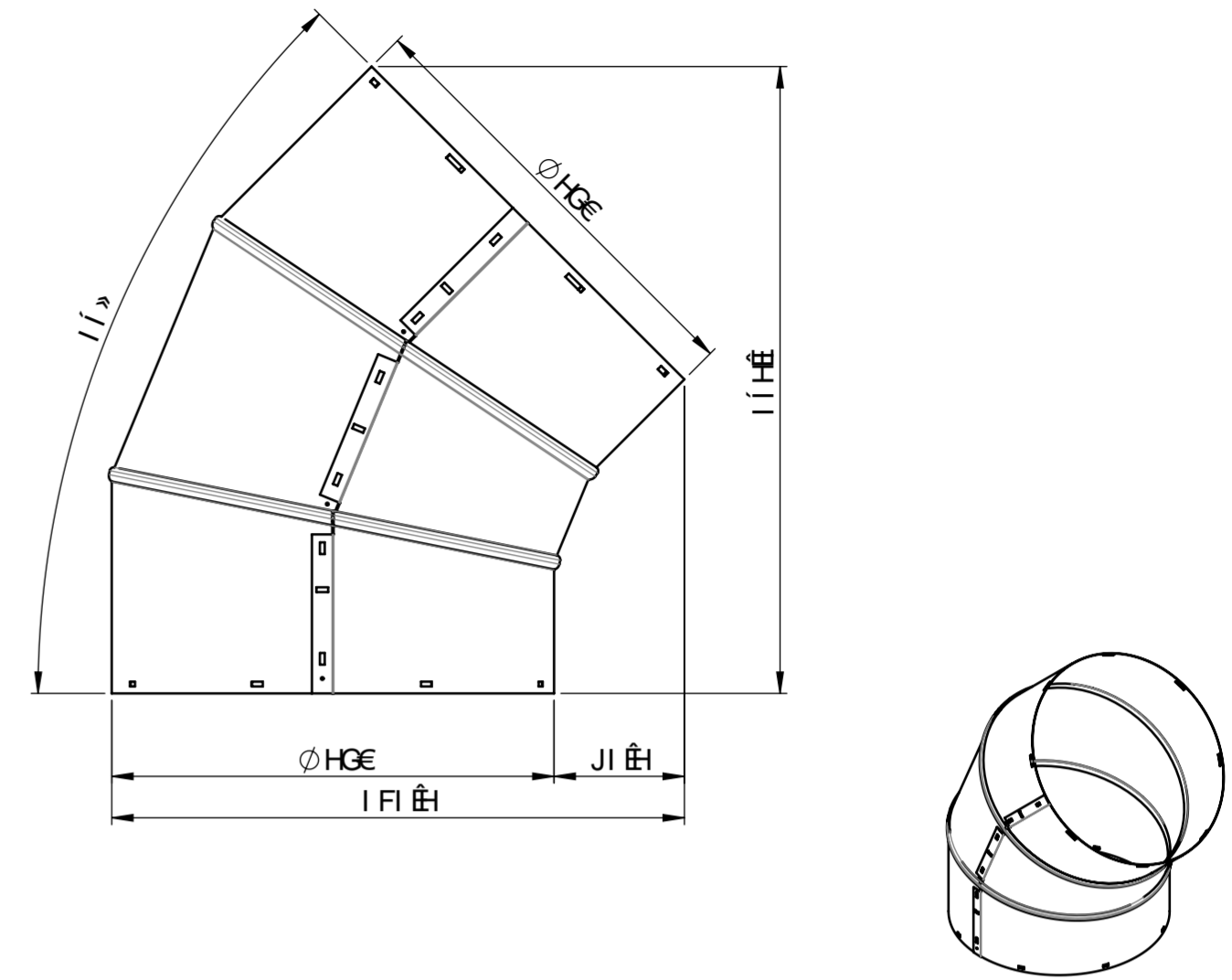
: @ G < B; ' D @ H 9 : C F : @ H F C C : G



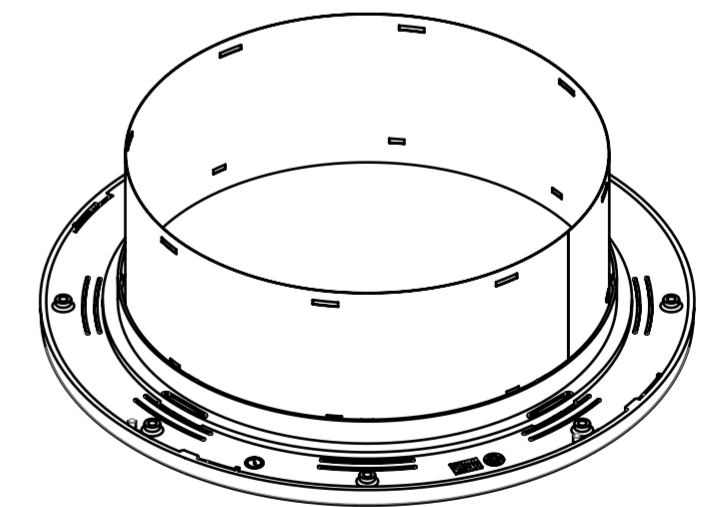
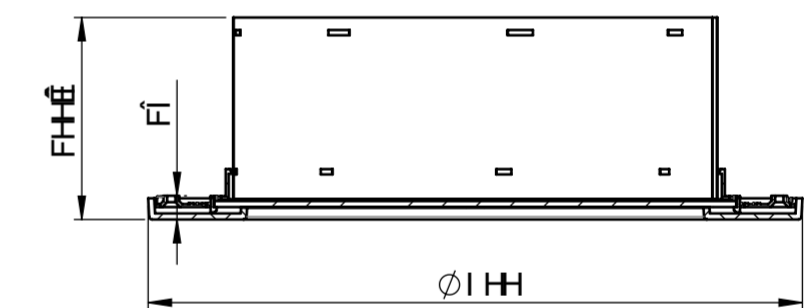
: @ G < B; ' D @ H 9 : C F ' D + 7 < 9 8 '
 FCC: G



H I 6 9 * &) a a



5 8 > I G H 5 6 @ ' 9 @ C K () & s



8 = I G 9 F

@ < H K 5 M
 7 F M G H 5 @ (\$ \$ < D

lightway[®]
 tubular skylights